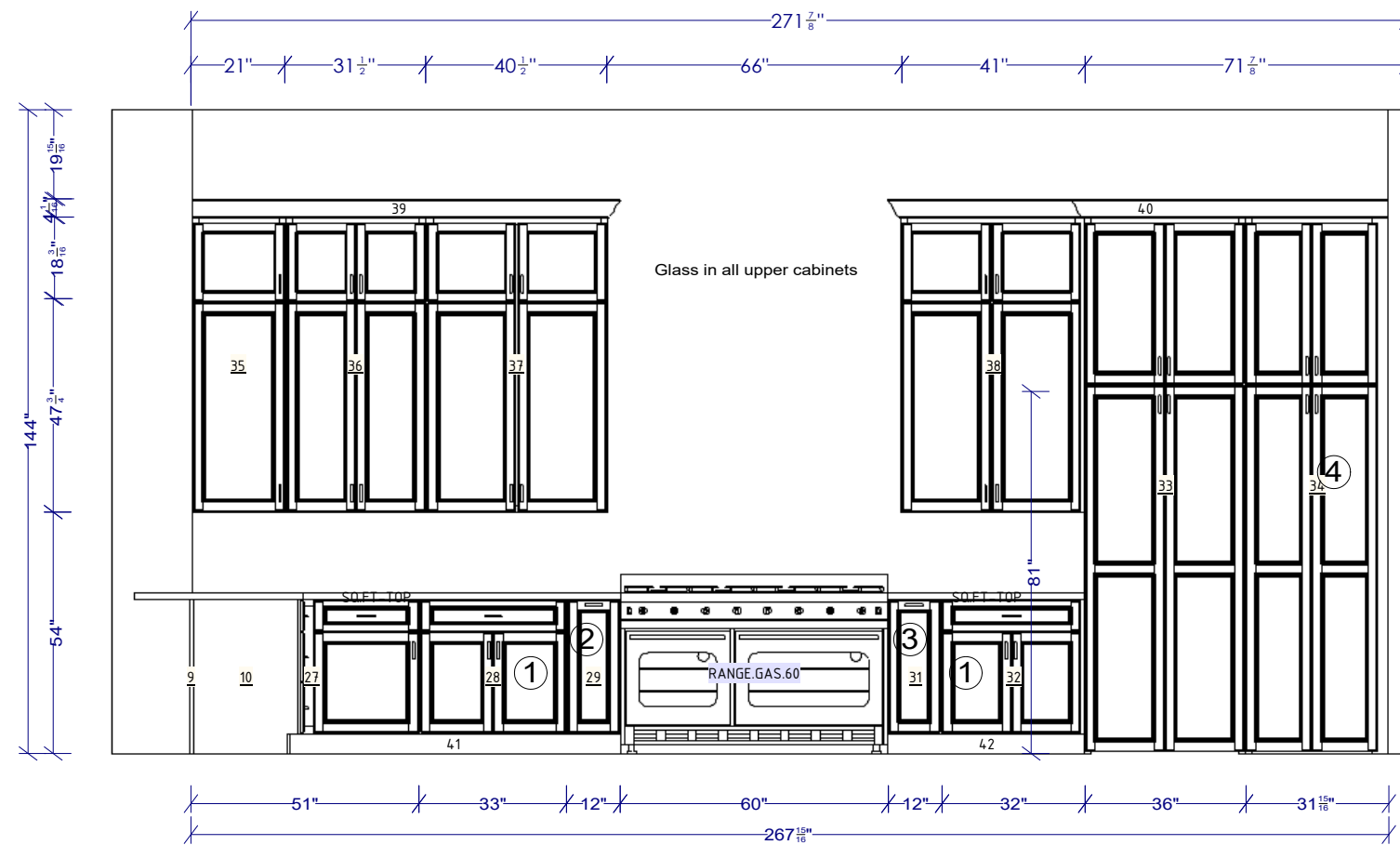


Legend

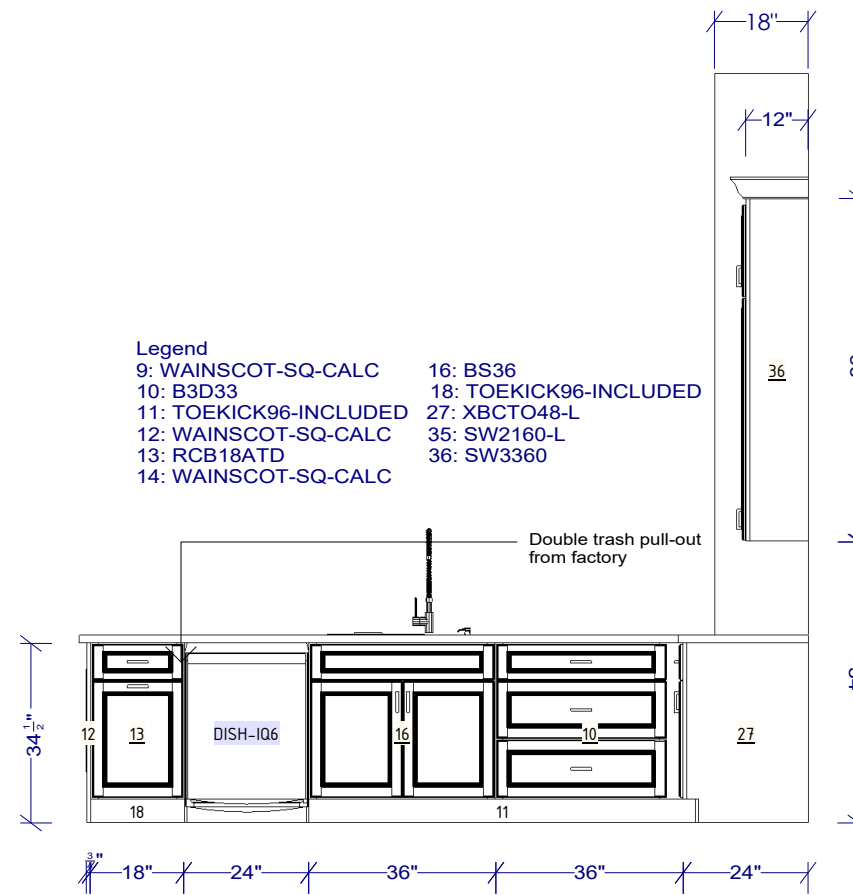
- | | | | |
|----------------------|---------------|----------------|-----------------|
| 1: B33 | 24: B33 | 47: BEPF3 | 72: W3348 |
| 2: B33 | 25: B33 | 52: XBC42-L | 73: SCW2448-R |
| 3: B33 | 26: B33 | 54: BEPF3 | 74: B42FHD |
| 4: WPRB3648 | 27: XBCTO48-L | 55: TBCB1224 | 75: W3048 |
| 5: WPRB3648 | 28: B33RT-2 | 57: B36FHD | 76: W3048 |
| 5: WPRB3648 | 29: BPSR12 | 58: B36FHD | 77: FS6012 |
| 9: WAINSCOT-SQ-CALC | 31: BPSR12 | 59: BSCLSK39-L | 78: FS6012 |
| 10: B3D33 | 32: B33RT-2 | 60: W3048 | 79: FS6012 |
| 12: WAINSCOT-SQ-CALC | 33: TPT36120 | 61: W3048 | 80: REP24120 |
| 13: RCB18ATD | 34: TPT30120 | 62: W3048 | 83: UT24120B-1L |
| 14: WAINSCOT-SQ-CALC | 35: SW2160-L | 63: SCW2448-R | 84: UT24120B-1R |
| 16: BS36 | 36: SW3360 | 67: B36FHD | 85: W303618 |
| 19: B33RT-2 | 37: SW4260 | 68: B36FHD | 86: W303618 |
| 20: B33RT-2 | 38: SW4260 | 69: BSCLSK39-R | 89: FS6012 |
| 21: B33RT-2 | 43: BEPF3 | 70: W3348 | 90: FS6012 |
| 22: WAINSCOT-SQ-CALC | 45: RCB18ATD | 71: W3648 | 91: FS6012 |
| 23: WAINSCOT-SQ-CALC | | | |

<p>Note: This drawing is an artistic interpretation of the general appearance of the design. It is not meant to be an exact rendition.</p>		<p>Designed :6/13/2023 Printed: 8/31/2023</p>
		<p>Kitchen and Pantry Recovery 2023-6-12 Birds Eye Drawing #: 1</p>

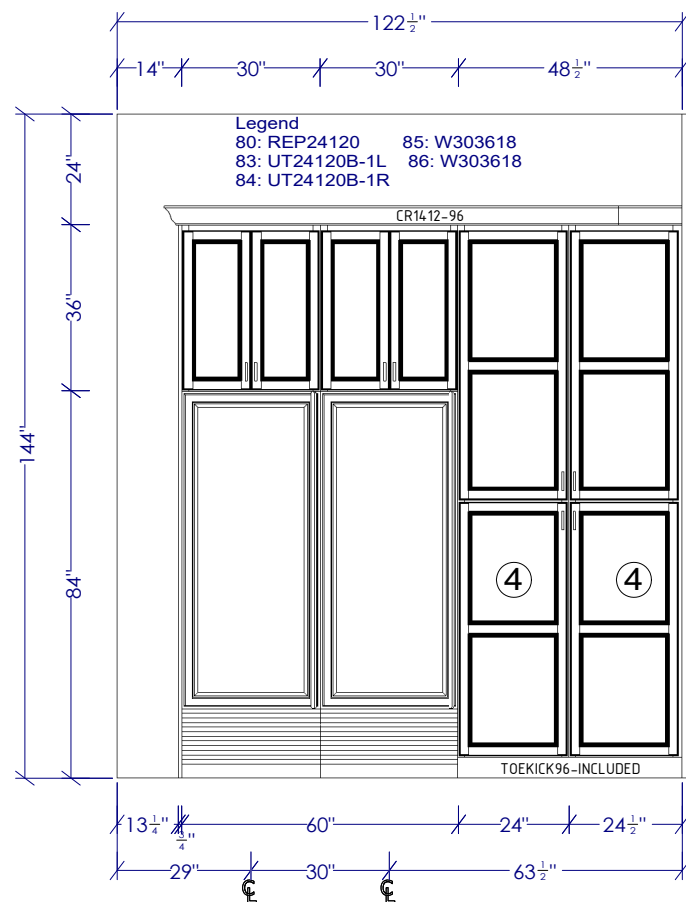


- Legend
- | | |
|---------------------|------------------------|
| 9: WAINSCOT-SQ-CALC | 35: SW2160-L |
| 10: B3D33 | 36: SW3360 |
| 27: XBCTO48-L | 37: SW4260 |
| 28: B33RT-2 | 38: SW4260 |
| 29: BPSR12 | 39: CR1412-96 |
| 31: BPSR12 | 40: CR1412-96 |
| 32: B33RT-2 | 41: TOEKICK96-INCLUDED |
| 33: TPT36120 | 42: TOEKICK96-INCLUDED |
| 34: TPT30120 | |

- 1-2 roll-outs per cabinet
- 2-Utensil pull-out
- 3-Spice pull-out
- 4-4 roll-outs in a pantry



- Legend
- | | |
|------------------------|------------------------|
| 9: WAINSCOT-SQ-CALC | 16: BS36 |
| 10: B3D33 | 18: TOEKICK96-INCLUDED |
| 11: TOEKICK96-INCLUDED | 27: XBCTO48-L |
| 12: WAINSCOT-SQ-CALC | 35: SW2160-L |
| 13: RCB18ATD | 36: SW3360 |
| 14: WAINSCOT-SQ-CALC | |

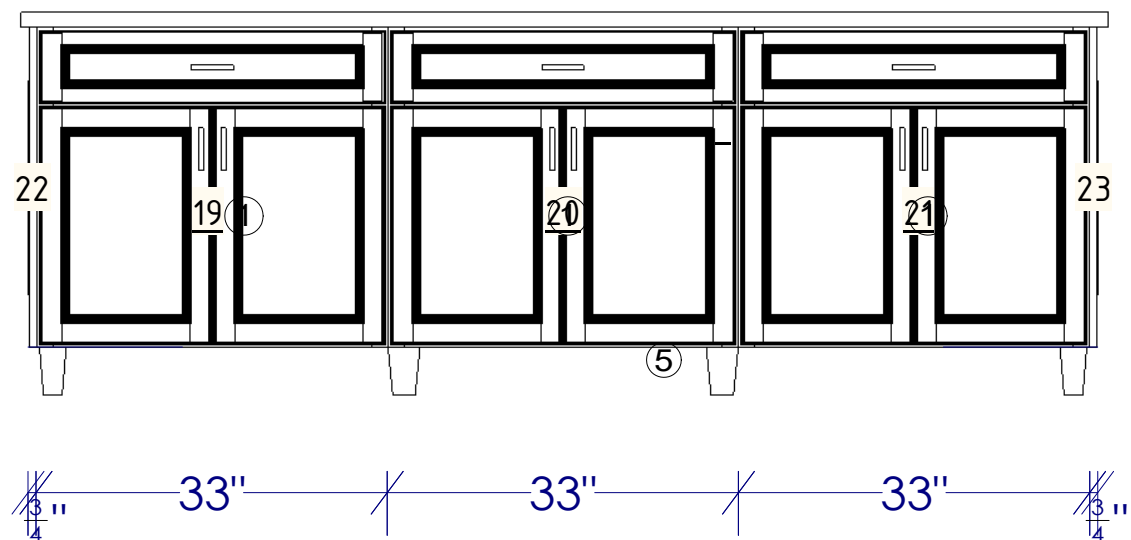


4-4-roll-outs in each

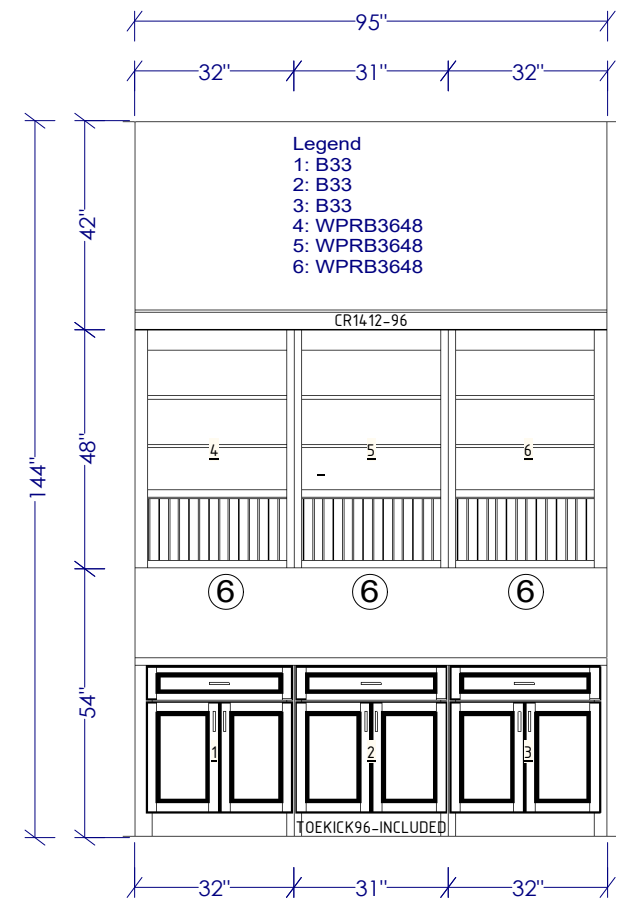
- Legend**
 19: B33RT-2
 20: B33RT-2
 21: B33RT-2
 22: WAINSCOT-SQ-CALC
 23: WAINSCOT-SQ-CALC

1-2 roll-outs in each

5-Installer to build toe kick for island cabinets to sit on.
 Toe kick to be recess 14.5" on all side
 Toe kick area can be used to pull electric

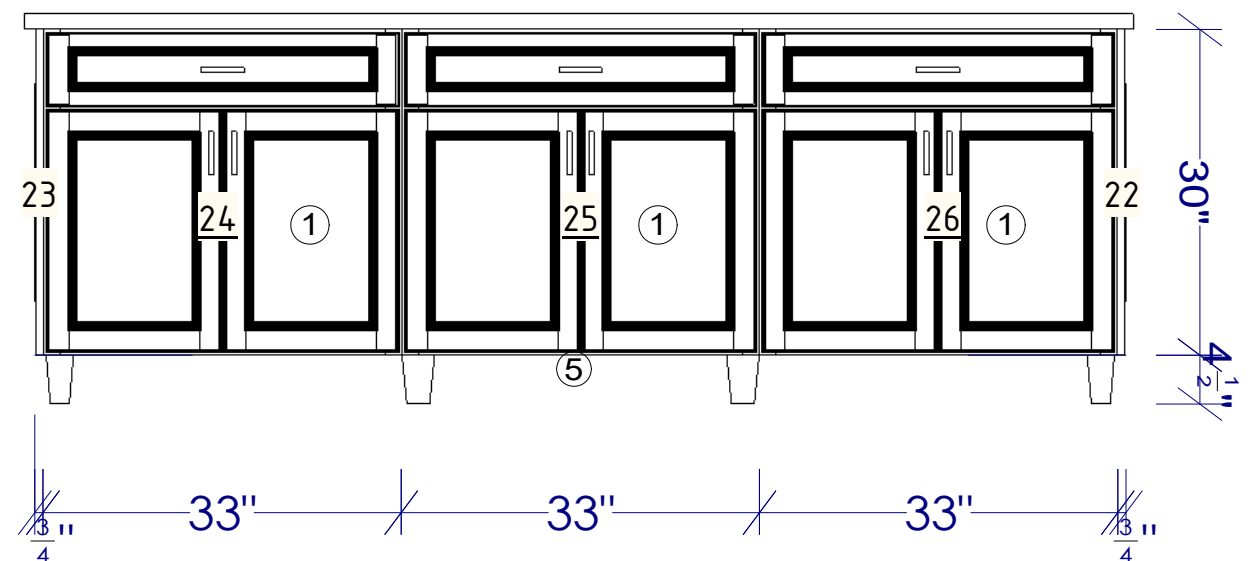


4 1/2"

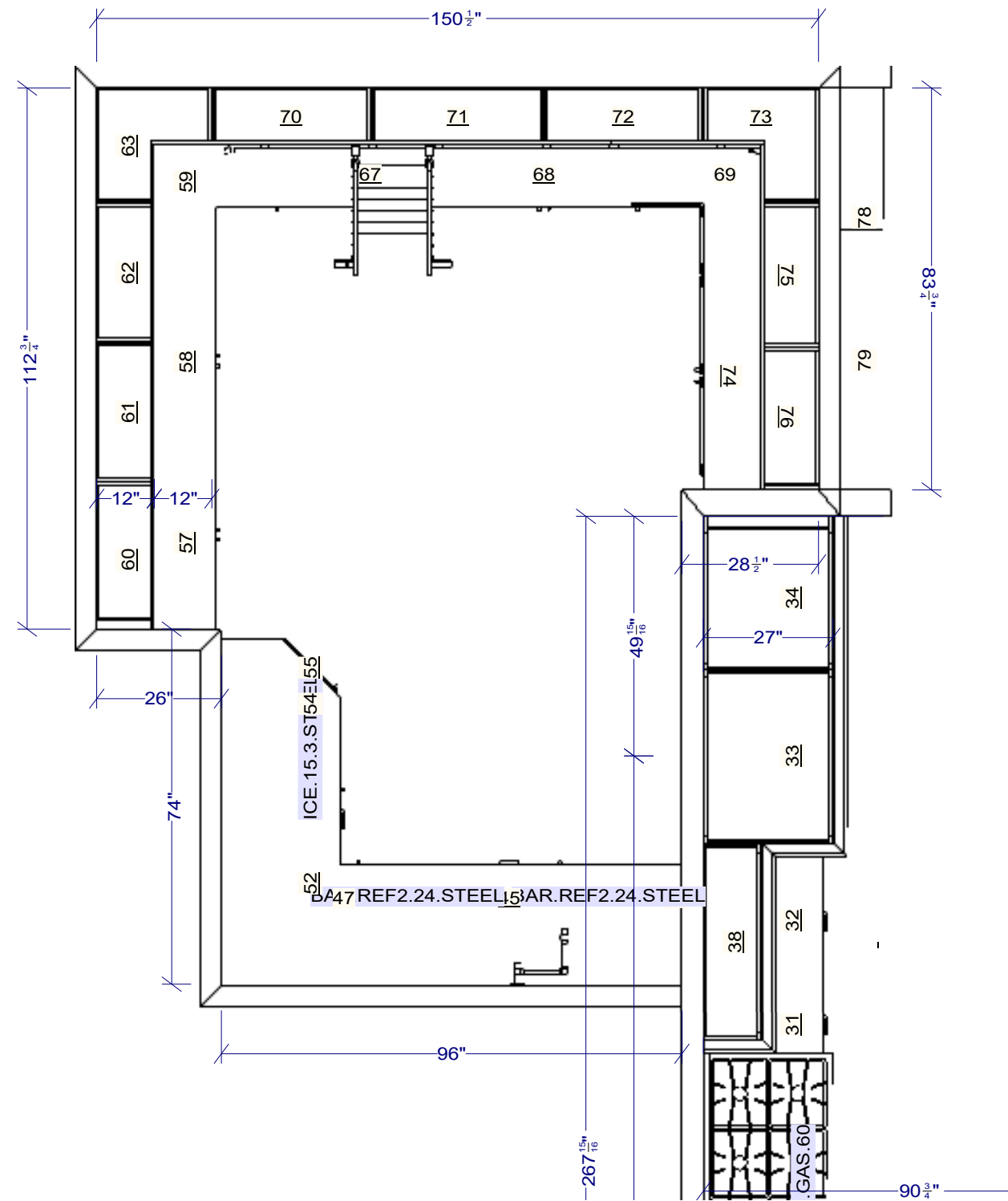


6-Plate rack

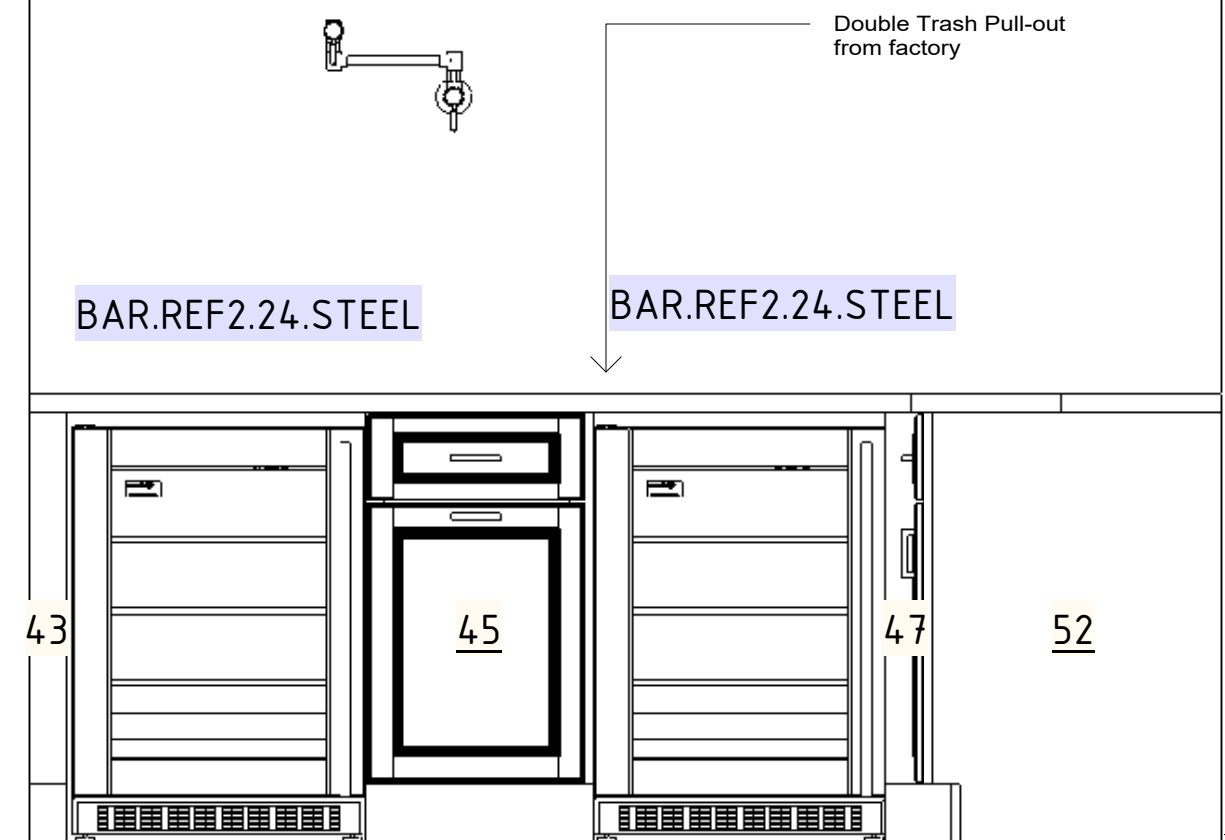
- Legend**
 22: WAINSCOT-SQ-CALC
 23: WAINSCOT-SQ-CALC
 24: B33
 25: B33
 26: B33



<p>Note: This drawing is an artistic interpretation of the general appearance of the design. It is not meant to be an exact rendition.</p>		<p>Designed :6/13/2023 Printed: 8/31/2023</p>
<p>Kitchen and Pantry Recovery 2023-6-12 Kitchen Island/Refer Drawing #: 1</p>		



Legend
 43: BEPF3 47: BEPF3
 45: RCB18ATD 52: XBC42-L



Note: This drawing is an artistic interpretation of the general appearance of the design. It is not meant to be an exact rendition.



Designed :6/13/2023
 Printed: 8/31/2023

